

July 11, 1950

M. H. WALKER ET AL  
FIRING MECHANISM FOR FIREARMS

2,514,981

Filed Feb. 12, 1948

2 Sheets-Sheet 1

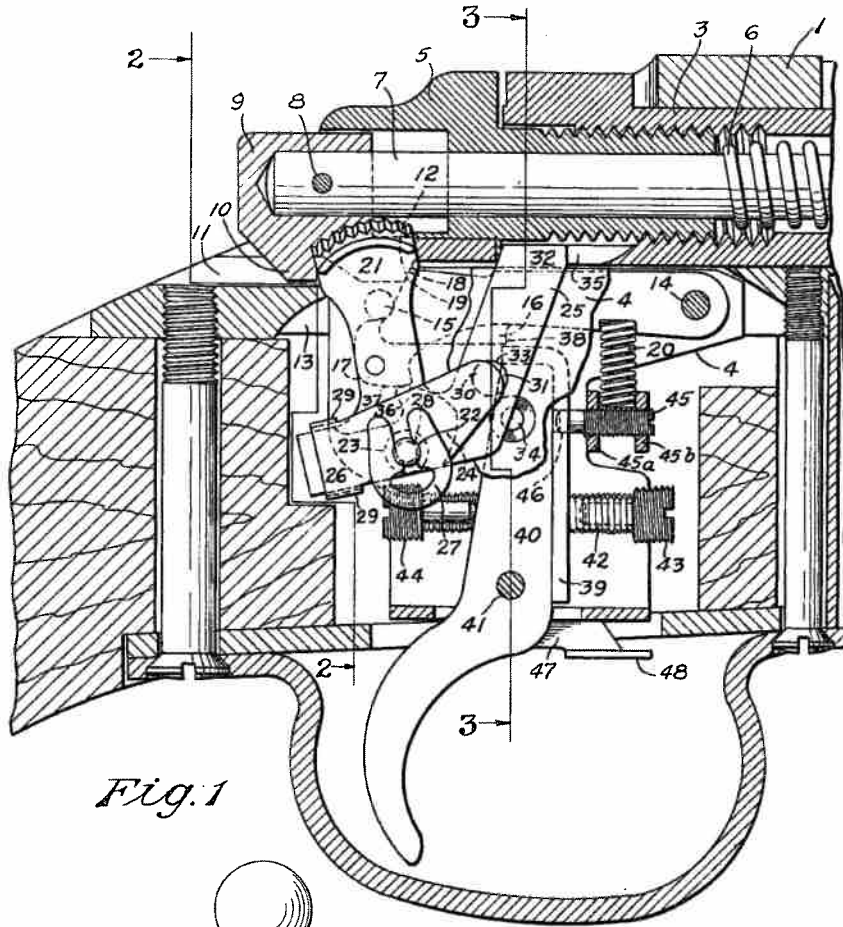


Fig. 1

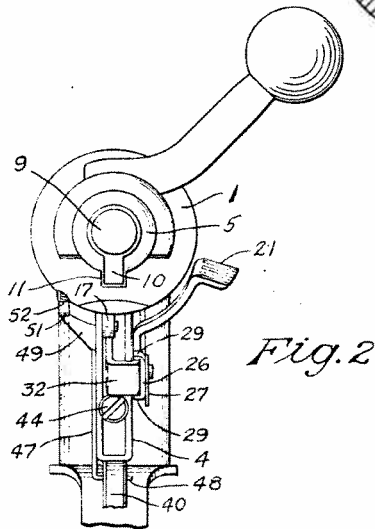


Fig. 2

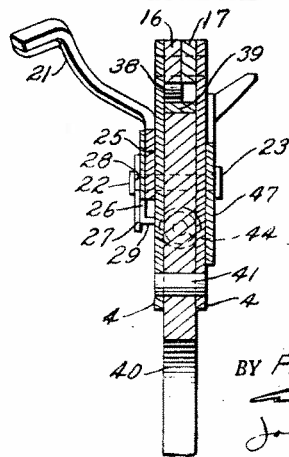


Fig. 6

INVENTORS  
MERLE H. WALKER  
BY PHILIP R. HASKELL

*John H. Lewis Jr.*